

ELEKTRA™

— health + —



ecofriendly

NEW HEAT
TECHNOLOGY

INSTRUCTION MANUAL

PLATINUM

COOL / WARM

STEAM HUMIDIFIER



Read these instructions before use and keep them safe. If you pass the appliance on, pass on the instructions too. Remove all packaging, but keep it until you are satisfied.

IMPORTANT SAFETY INSTRUCTIONS:

When using an electrical appliance, basic precautions should always be followed, including the following: Read all instruction before using this appliance.

DANGER -To reduce the risk of electric shock:

1. Always unplug this appliance from the electrical outlet immediately after using and before cleaning.
2. Do not reach for an appliance that has fallen into water. Unplug it immediately.
3. Do not use or store the appliance where it can fall or be pulled into a tub or sink. Do not place or drop into water or other liquid.

WARNING: -To reduce the risk of burns, fire, electric shock or injury to persons:

1. An appliance should NEVER be left unattended when plugged in. Unplug from outlet when not in use and before putting on or taking off parts or attachments.
2. DO NOT operate under a blanket or pillow. Excessive heating can occur and cause fire, electrical shock or injury.
3. Close supervision is necessary when this appliance is used by or near children, invalids or disabled persons.
4. This appliance is not intended for use by children and people with reduced physical, sensory and mental capacity.
5. Do not let children play with this appliance as there is the possibility that it could lead to serious injury and electrocution. This appliance should only be used by an adult or a person qualified to do so.
6. Use this appliance only for its intended use as described in this manual. Do not use attachments not recommended; specifically any attachments not provided with the unit.
7. Never operate this appliance if it has a damaged cord or plug, if it is not working properly, if it has been dropped or damaged, or dropped into water. Return it to the Service Center for examination and repair.
8. Do not carry this appliance by the supply cord or use the cord as a handle.
9. Keep the cord away from heated surfaces.
10. Never operate the appliance with the air openings blocked. Keep the air openings free of lint, hair and other debris.
11. Never drop or insert any object into any opening.
12. Do not attempt to plug or unplug the unit when you have wet hands.
13. Never operate on a soft surface, such as a bed or couch, where air openings may be blocked.
14. Do not use outdoors.
15. Connect the appliance to a properly grounded outlet only.
16. If the supply cord is damaged, contact the Consumer Service Centre for repair and replacement. Do not attempt to repair yourself.
17. All servicing of this appliance must be performed by authorized service personnel only.
18. Keep all packaging and plastic bags out of the reach of children as these pose the risk as a choking hazard.

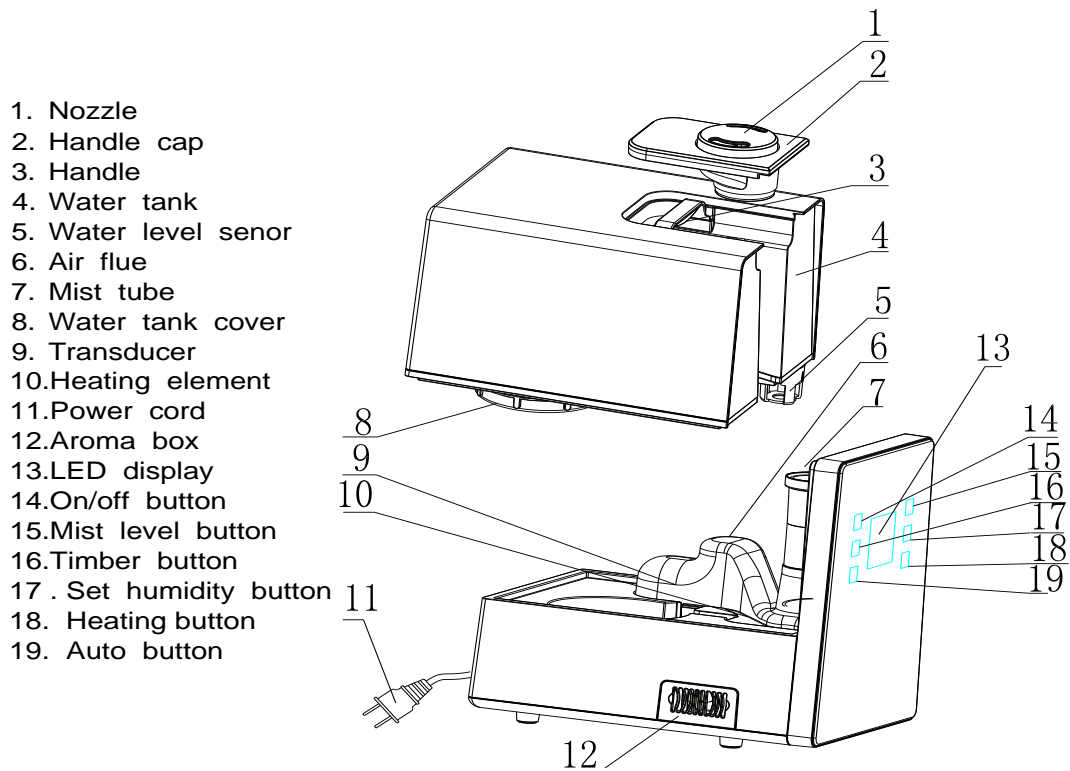
19. Use only normal tap water. Do not add anything to the water (e.g. salt, oils, perfumes, etc ...)

FOR HOUSEHOLD USE ONLY

Additional Safeguards

1. Do not try to repair the appliance yourself. Contact the approved Service Centre for examination and repair.
2. This product has been designed to operate safely when used according to the instruction guide.
3. If the electrical circuit is overloaded with other electrical appliances, your Humidifier may not operate properly. It should then be operated on a separate circuit from other appliances.

KNOW YOUR ELEKTRA HEALTH HUMIDIFIER



User Instructions

1. Place the base of unit on a smooth level surface.
2. Remove the water tank and unscrew the tank cover underneath the tank.
3. Pour plain cold tap water into the tank.
4. Always use ordinary tap water and never add anything to the water (e.g. salt, oils, perfumes, etc ...)
5. Ensure that you tighten the tank lid securely.
6. Place the tank onto the base.
7. Place the nozzle into the recess on top of the tank, and direct it away from walls and furniture.
8. Plug the appliance into the power outlet and touch the power On/Off switch.
9. The screen will illuminate accompanied by a series of beeping sounds.



On/Off



Steam volume



Timer



Humidity



Auto







Warm steam

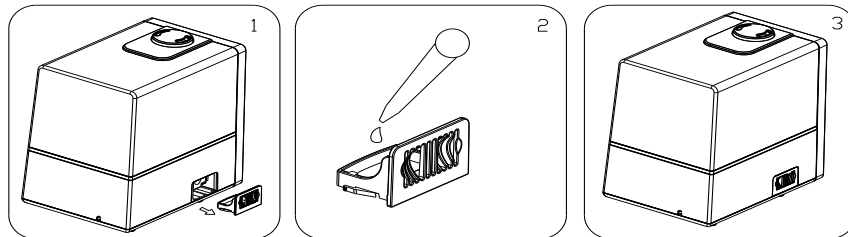
Functions

1. **On/Off** – Touch the button to turn on and turn off the appliance. Turning on or off the appliance is accompanied by a series of beeps.
2. **Timer** – The timer can be set for between 1 to 12 hours.
3. **AUTO** – This mode will choose a suitable humidity level considering the surrounding environmental humidity, and will maintain the humidity level between 55% - 65%.
4. **Steam Volume** – The amount of steam that will be emitted can be selected between 3 different settings. Setting 1 being the least amount of steam and Setting 3 being the most. When turning the humidifier on, the steam volume is automatically set as Setting 3.
5. **Humidity** –
 - The humidity can be set between the ranges of 40 – 80% in increments of 5%.
 - Once the preset humidity is reached the humidifier will turn off. When the humidity drops below the preset humidity it will turn on again.
 - Depending on the size of the room, the selected humidity % may not be reached.
 - When turning on the humidifier it will give the reading of the present humidity. The display will read PRESENT HUMIDITY.
 - When selecting a humidity level the screen will display SET HUMIDITY.
 - The most comfortable settings should be between 45 – 60%.

6. Warm Steam –

- There are 3 heat settings. LOW/MEDIUM/HIGH.
- When you press the button once, the LOW setting will activate and a heat icon will appear on the screen. 
- When you press the button a second time, the MEDIUM setting will be active and a heat icon will appear on the screen. 
- When you press the button a third time, the HIGH setting will be active and 2 heat icons will appear on the screen.  
- When you press the button a fourth time all the heat icons will no longer appear on the panel, and the humidifier will produce cool steam.

7. Aromatherapy –



- Remove aroma box.
- Place a few drops of an aromatherapy oil of your choice onto the sponge.
- Place the aroma box back into the humidifier base.
- When the humidifier is turned on, the scent function will automatically be on.
- When you wish not to use the scent function you can remove the sponge and wash it.

8. **Remote Control** – The remote control functions in the same manner as described above for the humidifier.

Care and Maintenance

1. Switch the appliance off and unplug it.
2. Wipe the body of the appliance off with a soft damp cloth. If necessary use a little washing-up liquid.
3. Rinse the water tank with clean water after each use. To dry for storage, wipe with a soft clean cloth.
4. Do not use detergents to clean any part of the unit that normally contains water. Detergents can interfere with the performance of the unit.
5. Do not immerse the humidifier in water or any other liquid.
6. Do not use harsh or abrasive cleaning agents or solvents.
7. Keep the transducer clean by brushing with a soft brush.
8. Do not store with water in the tank.
9. When cleaning the base, beware not to get water in the air outlet.

Trouble shooting

PROBLEM	CAUSE	SOLUTION
No steam	Check plug	Plug into socket
	Check power switch	Turn on power switch
	No water in tank	Add water
	Not enough water in tank	Add more water
Peculiar smell steam	New machine	Remove tank cover, place the water tank in cool and dry place for 12 hours
	Water may be dirty, or water left in tank too long	Clean water tank. Replace with clean water
Noise	Tank in incorrect position	Put the tank in correct position
	Not enough water in tank	Add water
	Uneven surface	Place on even or flat surface
Steam coming out from around nozzle	The opening of the nozzle may be slightly blocked	Place the nozzle in warm water, and then try using it again
High Temp. warning	No water in water reservoir caused by broken water level sensor	Send for service and repair
	High water level of water in the reservoir	Pour out all water in the reservoir, and replace the tank

After Sales Service

The appliance is not user-serviceable. If it is not working properly check:

1. You have followed the instructions properly.
2. The outlet supply is switched on.
3. The main supply fuse/circuit breaker has not blown/tripped.

If the appliance still does not work, contact the Service Centre.

Guarantee

Any defect affecting the functionality of the appliance which becomes apparent within one (1) year of its purchase, will be corrected by free repair or replacement, provided that the appliance has been used and maintained in accordance with the instructions, and has not been altered/modified, abused or misused in anyway, and is accompanied with a Proof of Purchase to validate the age of the appliance.

Specification

230V 50Hz 30 - 280W

The Environment

This appliance is rated at an operating input of 30 – 280w watts.

ecofriendly

Please consider the environment when disposing of packaging. Recycle wherever possible.

When you want to dispose of this appliance please do so responsibly, or contact us to assist with the disposal, or disposal advice.



**8 Palala Street, Protec Park, Terenure Ext. 42,
Kempton Park, South Africa, 1610**

Tel: 011 393 – 1328

Fax: 011 393 – 1501

www.sp-africa.com